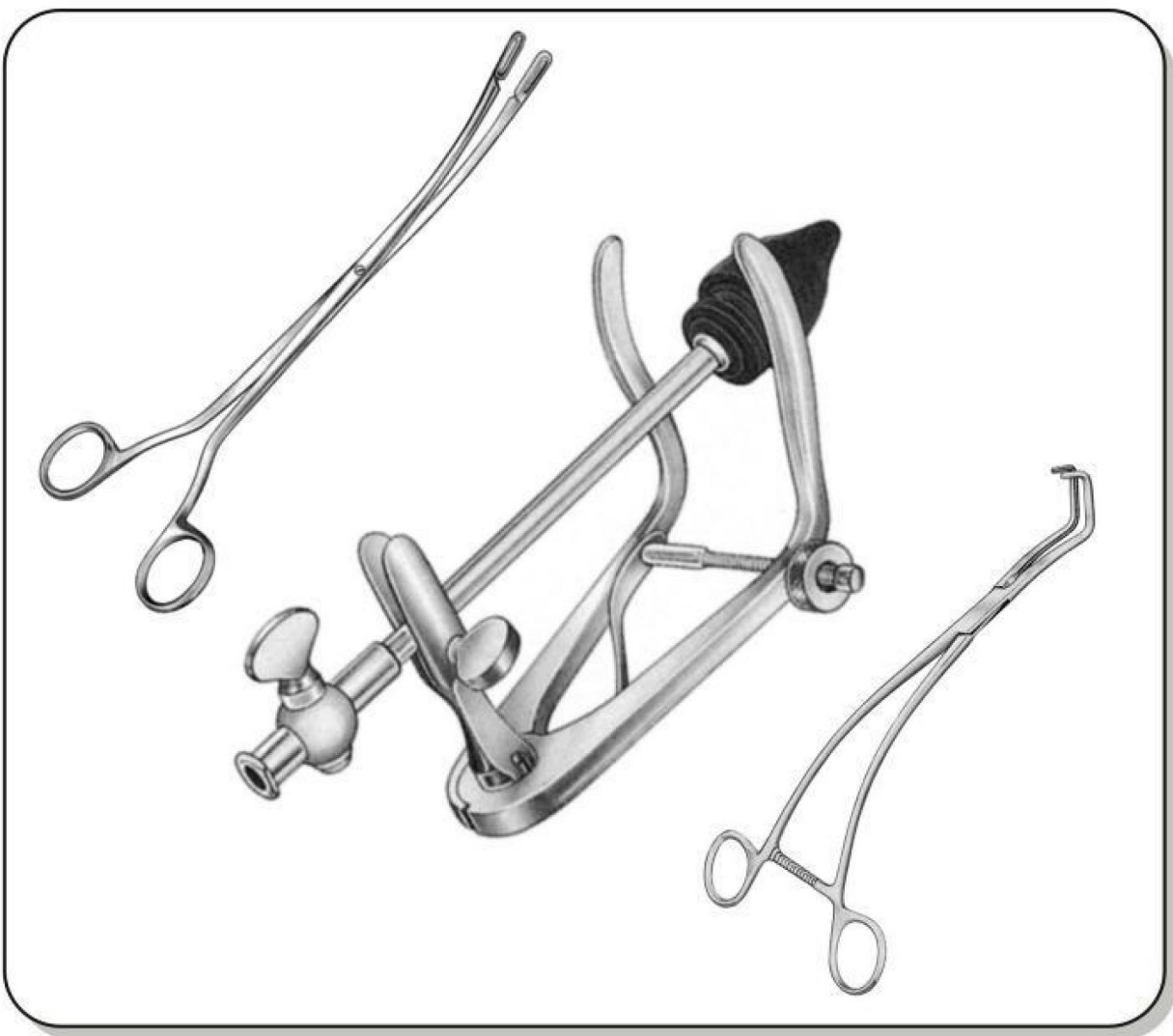
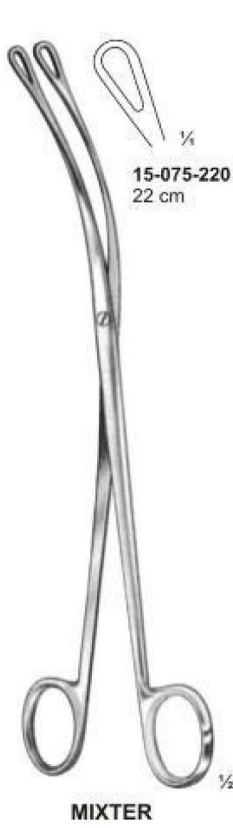
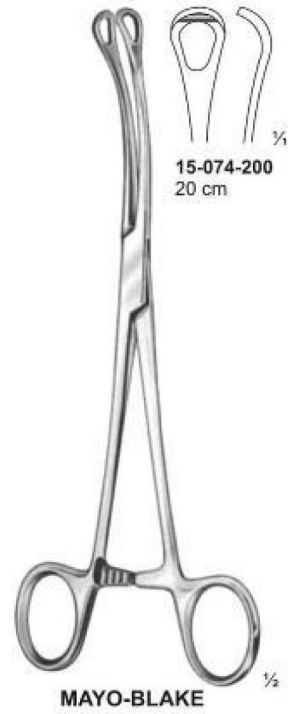
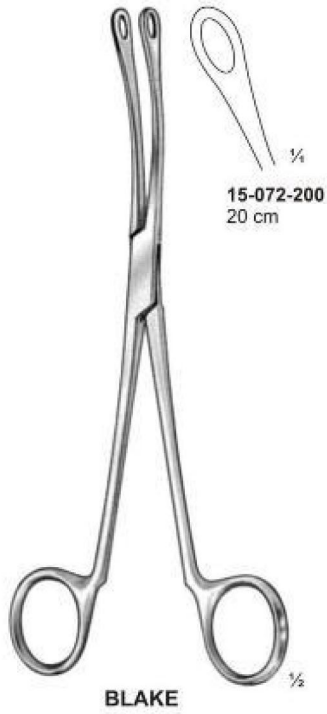
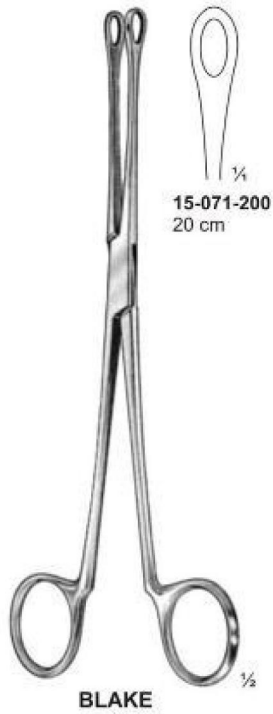


SECTION - 15

UROLOGY



UROLOGY





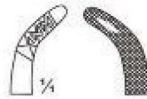
HARRIS
Angled Suture



15-080-241
24.1 cm



JOHNSON PROSTATIC
NEEDLE HOLDER



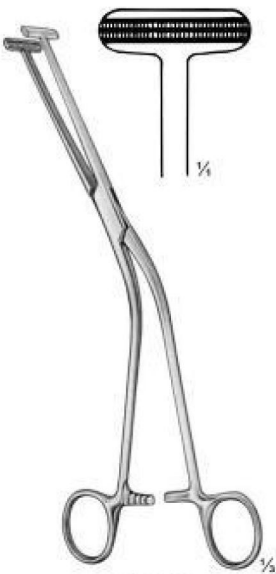
15-081-292
29.2 cm



STRATTE NEEDLE HOLDER



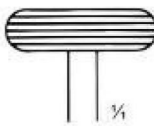
15-082-230
23 cm



MILLIN
15-083-240
24 cm



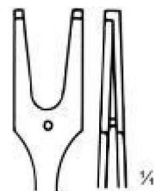
MILLIN
15-084-230
23 cm

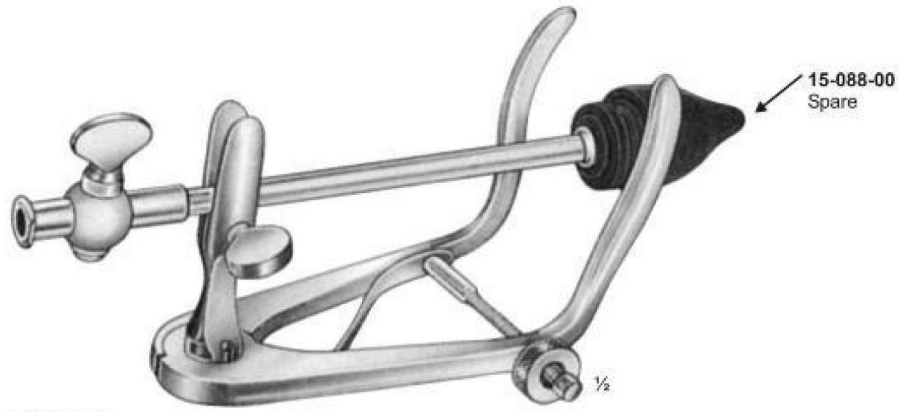


MILLIN
15-085-230
23 cm

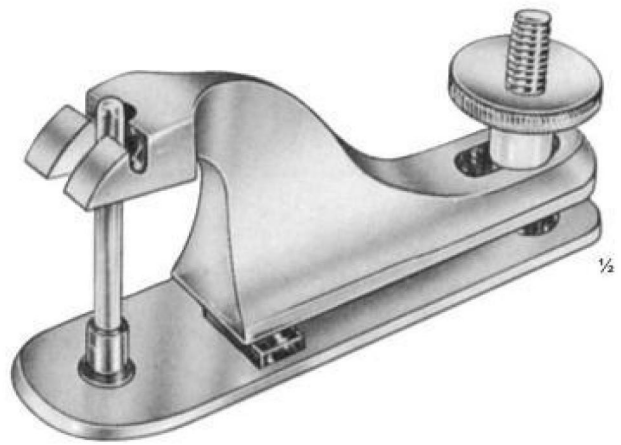


MILLIN
15-086-230
23 cm

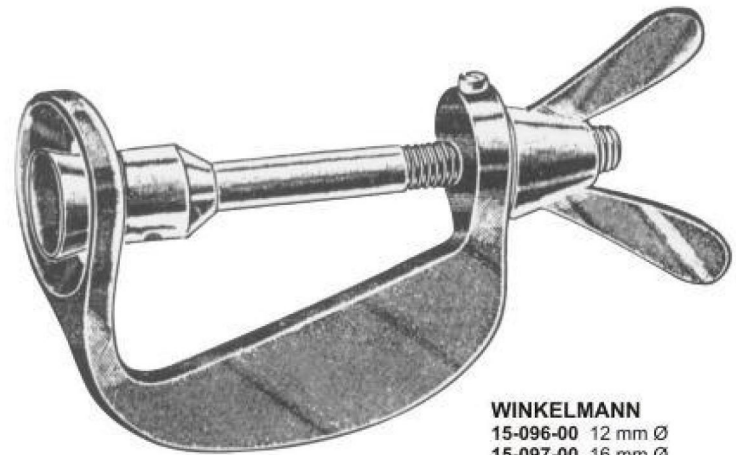




KNUTSON
15-087-180
18 cm
Urethrographie-Instruments



mm ø	
8	15-089-00
11	15-090-00
13	15-091-00
16	15-092-00
21	15-093-00
26	15-094-00
32	15-095-00



WINKELMANN
15-096-00 12 mm Ø
15-097-00 16 mm Ø
15-098-00 20 mm Ø
Circumcision clamps



MILLIN
15-099-280
28 cm

